

## SN32(H) High Precision Compact Limit Switches (IP67 Water-Proof) SN32(H) SERIES (25mm) 4-CORE

### Selection Guide:

**SN32**

**12**

Head Style

**SP**

**A**

<b>A</b>	Cable side exit
<b>B</b>	Cable bottom exit
<b>C</b>	M12 connector side exit 4 pin
<b>C1</b>	M12 connector side exit 4 pin
<b>C2</b>	M12 connector side exit 4 pin
<b>D</b>	M12 connector bottom exit 4 pin
<b>D1</b>	M12 connector bottom exit 4 pin
<b>D2</b>	M12 connector bottom exit 4 pin

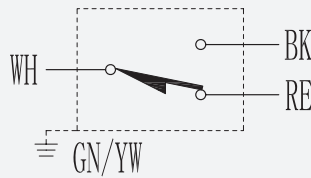
**2**

2 meter cable

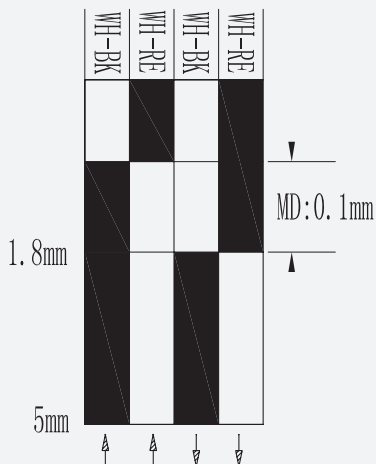
**(H)**

### Specification

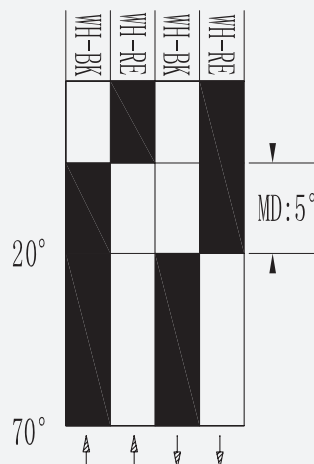
Operating Speed	0.05mm-2m/s
Operating Frequency	Mechanical: 120ops/min Electrical: 30 ops/min
Insulation Resistance	>100MΩ@500V DC
Contact Resistance	<25mΩ (initial value)
Rated Voltage	300V AC (EN60947-5-1)
Rated Thermal Current	10A
Electrical Rating	AC15 A300 DC13 Q300
Dielectric Strength	1000VAC for 1 min between current carrying parts 2500VAC for 1 min between non-current carrying parts
Service Life	Mechanically 1.0 x 10 <sup>7</sup> (operations) Electrically 5 x 10 <sup>5</sup> (operations)
Operating Temperature	-25~+85°C without formation of ice
Humidity	< 95%
Cable	4 core, SJT
Degree of Protection	IP67



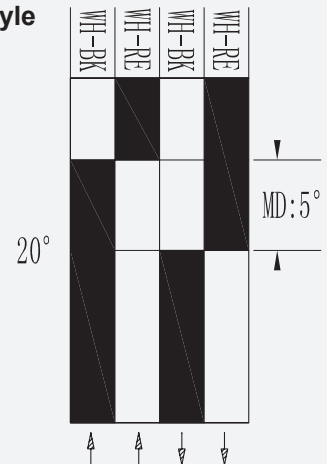
### Plunger Style



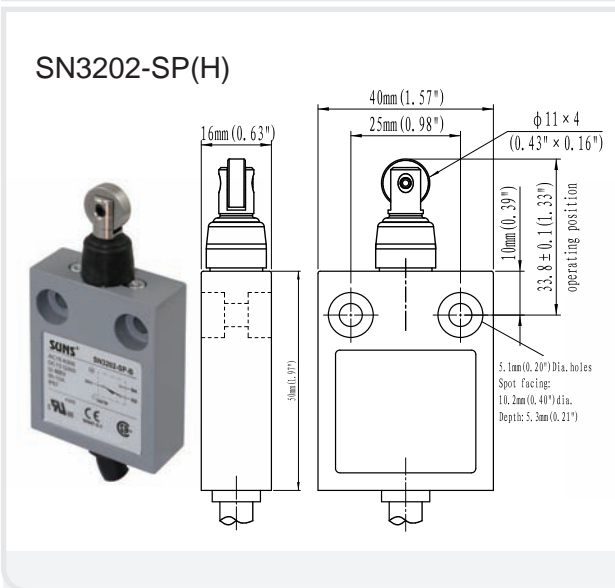
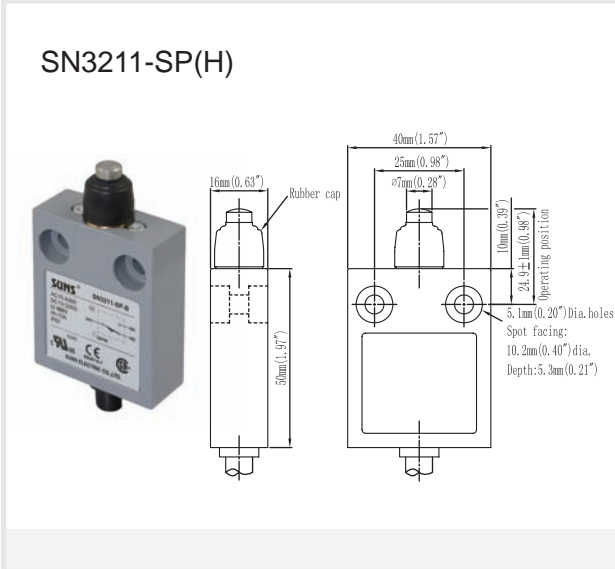
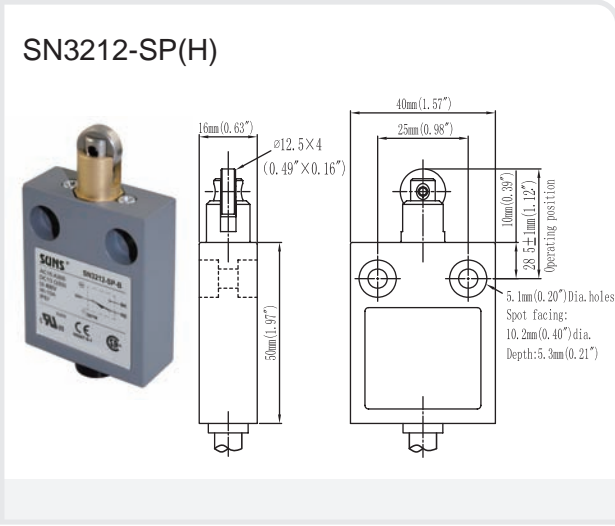
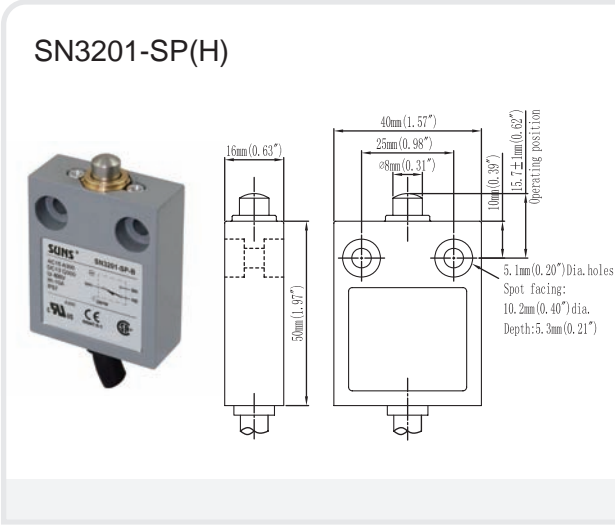
### Rotary Style



### Spring Coil Style

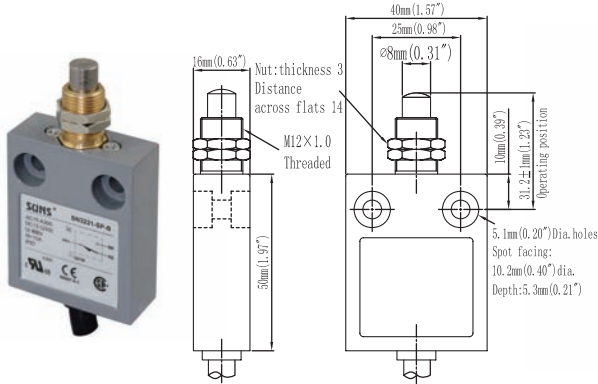


## SN32(H) High Precision Compact Limit Switches (IP67 Water-Proof) SN32(H) SERIES (25mm) 4-CORE

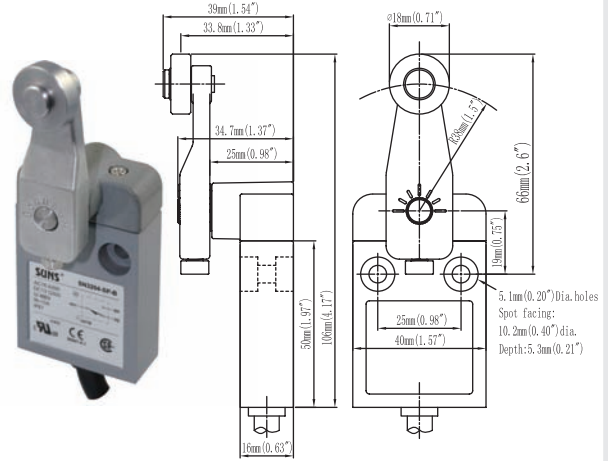


## SN32(H) High Precision Compact Limit Switches (IP67 Water-Proof) SN32(H) SERIES (25mm) 4-CORE

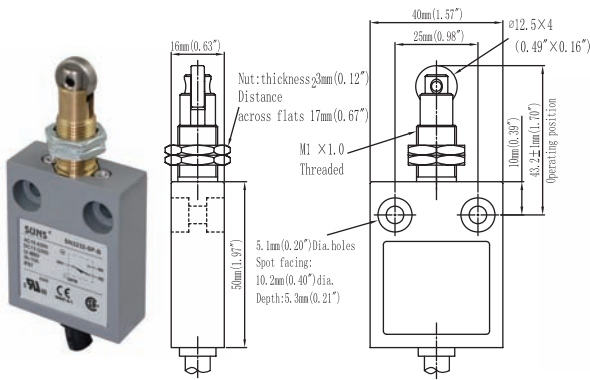
### SN3221-SP(H)



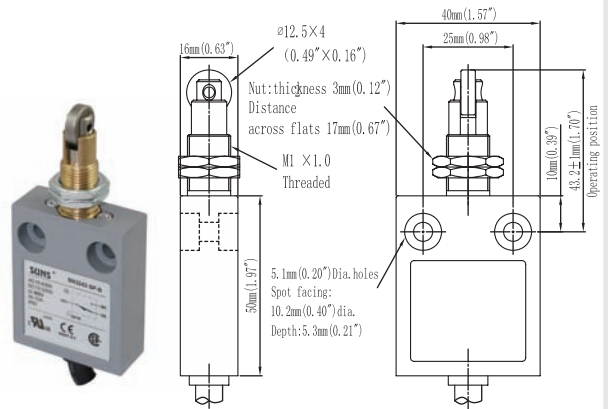
### SN3204-SP(H)



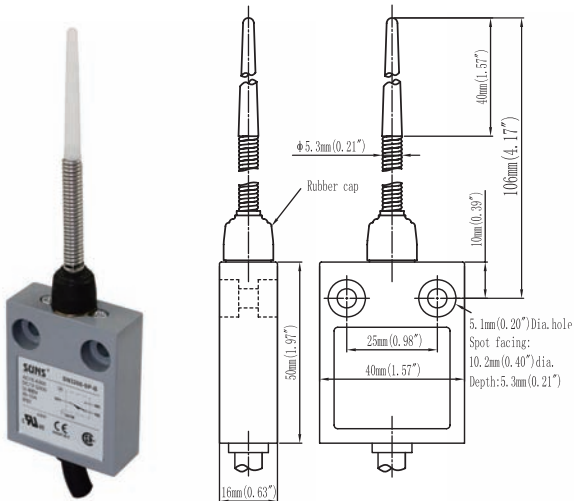
### SN3232-SP(H)



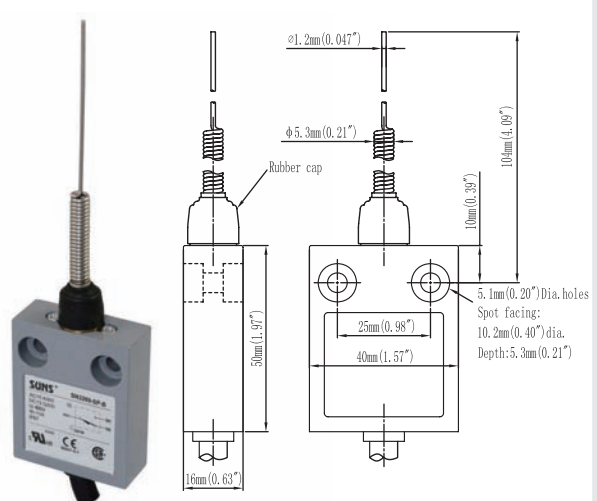
### SN3242-SP(H)



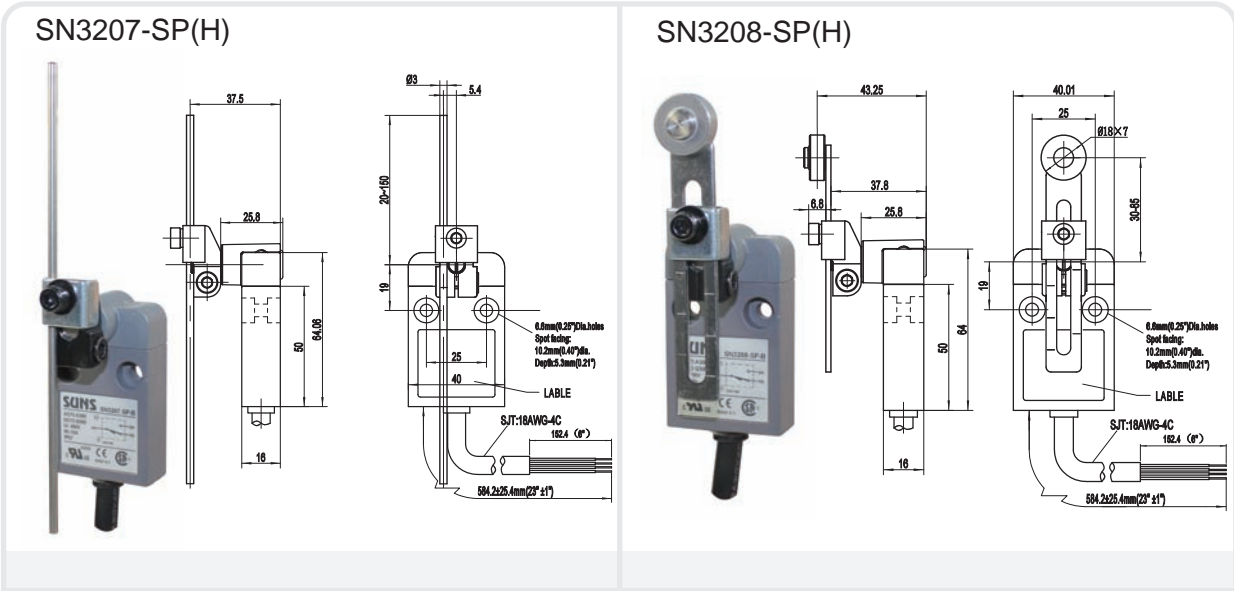
### SN3266-SP(H)



### SN3269-SP(H)



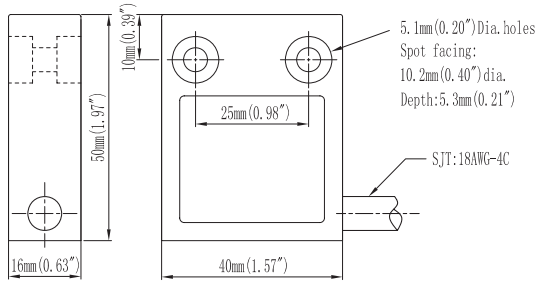
*SN32(H) High Precision Compact Limit Switches (IP67 Water-Proof)*  
 SN32(H) SERIES (25mm) 4-CORE



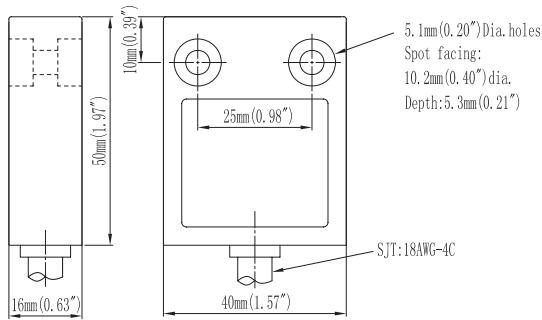
## SN32(H) High Precision Compact Limit Switches (IP67 Water-Proof) SN32(H) SERIES (25mm) 4-CORE

### Basic Body dimension:

Suffix: -A (cable side exit)



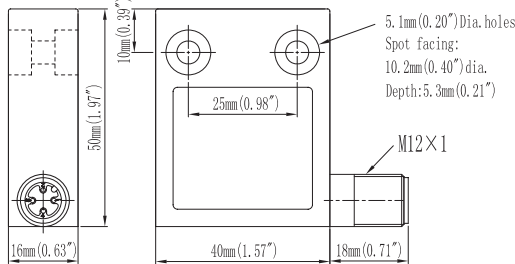
Suffix: -B (cable bottom exit)



Suffix: -C (M12 quick connector side exit 4 pin)

Suffix: -C1 (M12 quick connector side exit 4 pin)

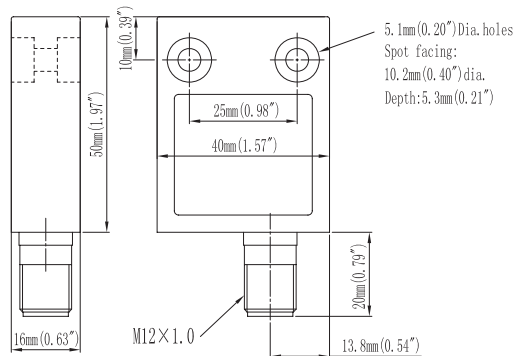
Suffix: -C2 (M12 quick connector side exit 4 pin)



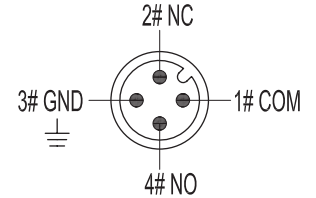
Suffix: -D (M12 Quick Connector bottom exit 4 pin)

Suffix: -D1 (M12 Quick Connector bottom exit 4 pin)

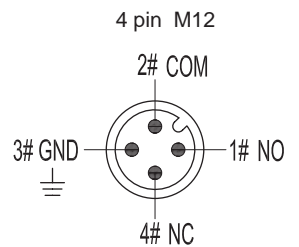
Suffix: -D2 (M12 Quick Connector bottom exit 4 pin)



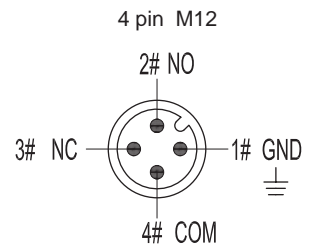
-C and -D



-C1 and -D1

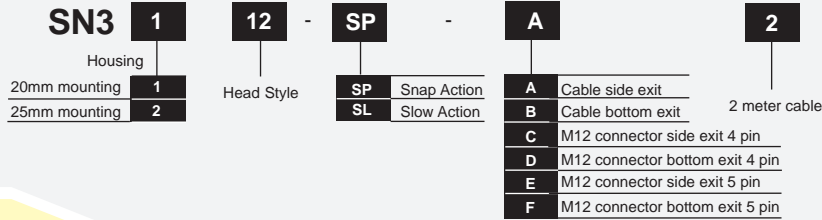


-C2 and -D2



## COMPACT LIMIT SWITCHES (Metal Body, IP67 Water-Proof) SN31 SERIES (20mm) and SN32 SERIES (25mm)

### Selection Guide:



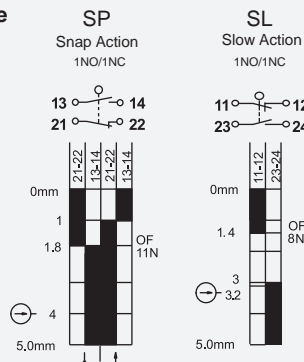
### Specification

Operating Speed	0.05mm-2m/s
Operating Frequency	Mechanical: 120ops/min Electrical: 30 ops/min
Insulation Resistance	>100MΩ@500V DC
Contact Resistance	<25mΩ (initial value)
Rated Voltage	300V AC (EN60947-5-1)
Rated Thermal Current	10A
Electrical Rating	AC15 A300 DC13 Q300
Dielectric Strength	1000VAC for 1 min between current carrying parts 2500VAC for 1 min between non-current carrying parts
Service Life	Mechanically 1 x10 <sup>7</sup> (operations) Electrically 5 x10 <sup>5</sup> (operations)
Operating Temperature	-25~+85°C without formation of ice
Humidity	< 95%
Cable	5 core, 0.75mm <sup>2</sup>
Degree of Protection	IP67

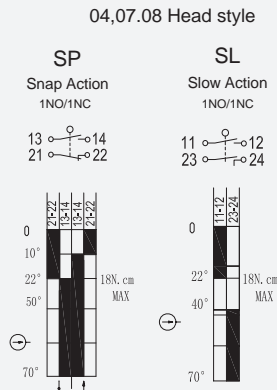
### Electrical Ratings

IEC 60947-5-1 / EN 90947-5-1							
Designation & Utilization Category	Rated operational current I <sub>e</sub> (A) at rated operational voltage U <sub>e</sub>					VA rating	
	120V	240V	380V	480V	600V	Make	Break
AC15 A600	120V 6A	240V 3A	380V -	480V -	600V -	7200	720
DC13 Q300	125VDC 0.55	250VDC 0.27				69	69

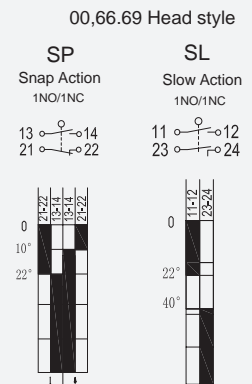
#### Plunger Style




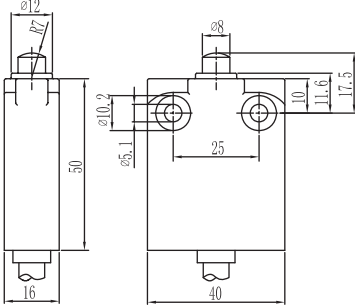

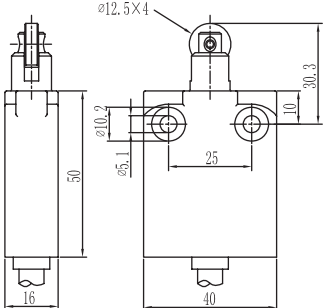





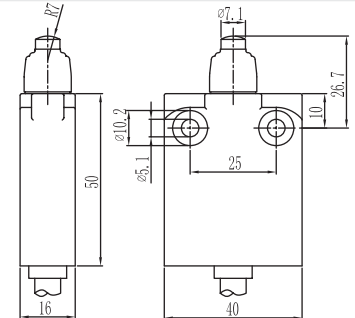

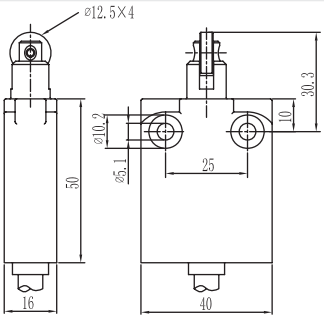





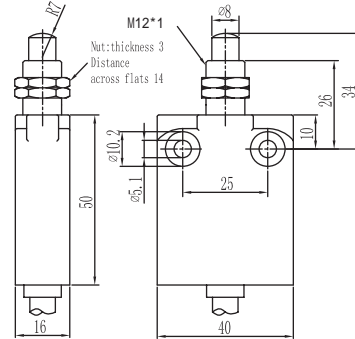

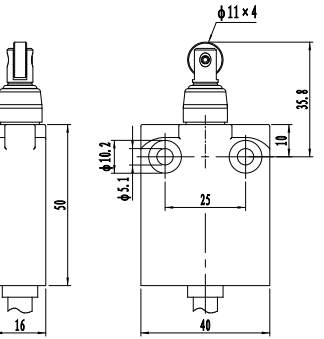

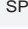



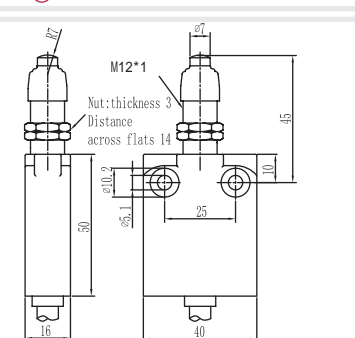

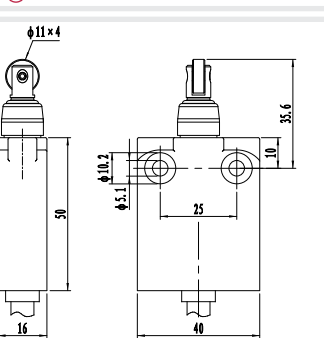




#### Rotary Style



#### Spring Coil Style



## COMPACT LIMIT SWITCHES (Metal Body, IP67 Water-Proof) SN32 SERIES (25mm) 5-CORE

			
<b>Order Code</b>	<b>Contact block</b>	<b>Order Code</b>	<b>Contact block</b>
SN3201-SP	SP  snap action	SN3212-SP	SP  snap action
SN3201-SL	SL  slow action	SN3212-SL	SL  slow action
	1NO+1NC		1NO+1NC
	BBM		BBM
			
<b>Order Code</b>	<b>Contact block</b>	<b>Order Code</b>	<b>Contact block</b>
SN3211-SP	SP  snap action	SN3222-SP	SP  snap action
SN3211-SL	SL  slow action	SN3222-SL	SL  slow action
	1NO+1NC		1NO+1NC
	BBM		BBM
			
<b>Order Code</b>	<b>Contact block</b>	<b>Order Code</b>	<b>Contact block</b>
SN3221-SP	SP  snap action	SN3202-SP	SP  snap action
SN3221-SL	SL  slow action	SN3202-SL	SL  slow action
	1NO+1NC		1NO+1NC
	BBM		BBM
			
<b>Order Code</b>	<b>Contact block</b>	<b>Order Code</b>	<b>Contact block</b>
SN3231-SP	SP  snap action	SN3203-SP	SP  snap action
SN3231-SL	SL  slow action	SN3203-SL	SL  slow action
	1NO+1NC		1NO+1NC
	BBM		BBM

## COMPACT LIMIT SWITCHES (Metal Body, IP67 Water-Proof) SN32 SERIES (25mm) 5-CORE

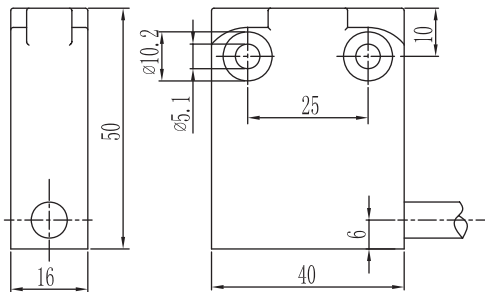
	<p><b>Order Code</b>      <b>Contact block</b></p> <p>SN3232-SP      SP            snap action      1NO+1NC</p> <p>SN3232-SL      SL            slow action      1NO+1NC      BBM</p>		<p><b>Order Code</b>      <b>Contact block</b></p> <p>SN3242-SP      SP            snap action      1NO+1NC</p> <p>SN3242-SL      SL            slow action      1NO+1NC      BBM</p>
	<p><b>Order Code</b>      <b>Contact block</b></p> <p>SN3204-SP      SP            snap action      1NO+1NC</p> <p>SN3204-SL      SL            slow action      1NO+1NC      BBM</p>		<p><b>Order Code</b>      <b>Contact block</b></p> <p>SN3204-SP-S      SP            snap action      1NO+1NC</p> <p>SN3204-SL-S      SL            slow action      1NO+1NC      BBM</p>
	<p><b>Order Code</b>      <b>Contact block</b></p> <p>SN3207-SP      SP            snap action      1NO+1NC</p> <p>SN3207-SL      SL            slow action      1NO+1NC      BBM</p>		<p><b>Order Code</b>      <b>Contact block</b></p> <p>SN3208-SP      SP            snap action      1NO+1NC</p> <p>SN3208-SL      SL            slow action      1NO+1NC      BBM</p>
	<p><b>Order Code</b>      <b>Contact block</b></p> <p>SN3211-SP G      SP            snap action      1NO+1NC</p> <p>SN3211-SL G      SL            slow action      1NO+1NC      BBM</p>		<p><b>Order Code</b></p> <p>SN3266-SP      SP      snap action      1NO+1NC</p> <p>SN3266-SL      SL      slow action      1NO+1NC      BBM</p>

## COMPACT LIMIT SWITCHES (Metal Body, IP67 Water-Proof)

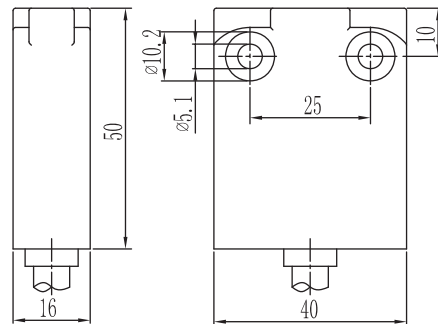
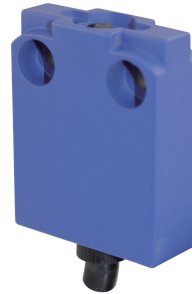
### SN32 SERIES (25mm) 5-CORE

Basic Body dimension:

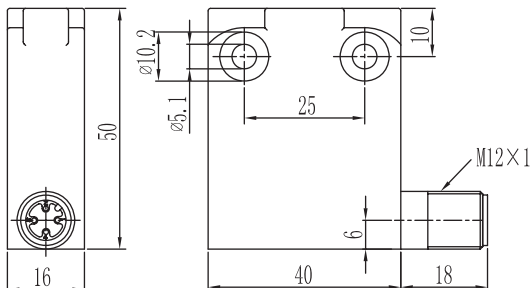
Suffix: -A (cable side exit)



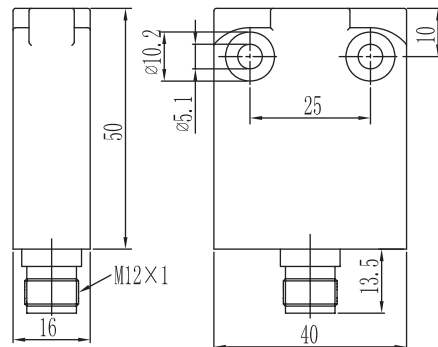
Suffix: -B (cable bottom exit)



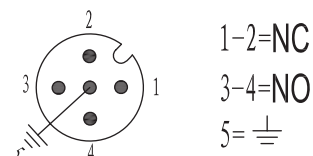
Suffix: -C or -C3 (M12 quick connector side exit 4 pin)  
Suffix: -E (M12 quick connector side exit 5 pin)



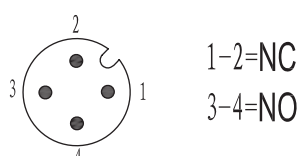
Suffix: -D or -D3 (M12 Quick Connector bottom exit 4 pin)  
Suffix: -F (M12 Quick Connector bottom exit 5 pin)



-E -F: 5 pin M12



-C -D: 4 pin M12



-C3 -D3: 4 pin M12

